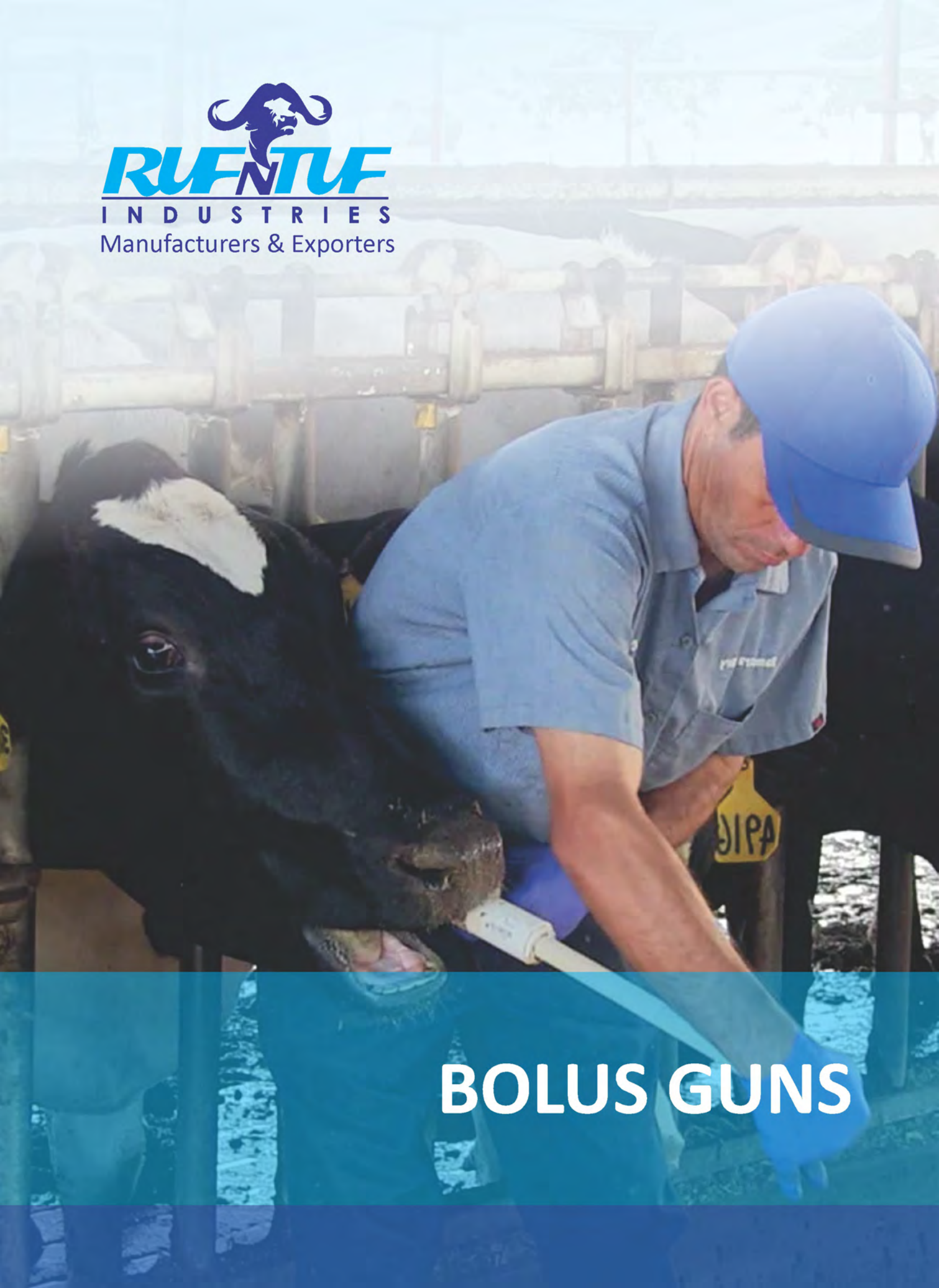
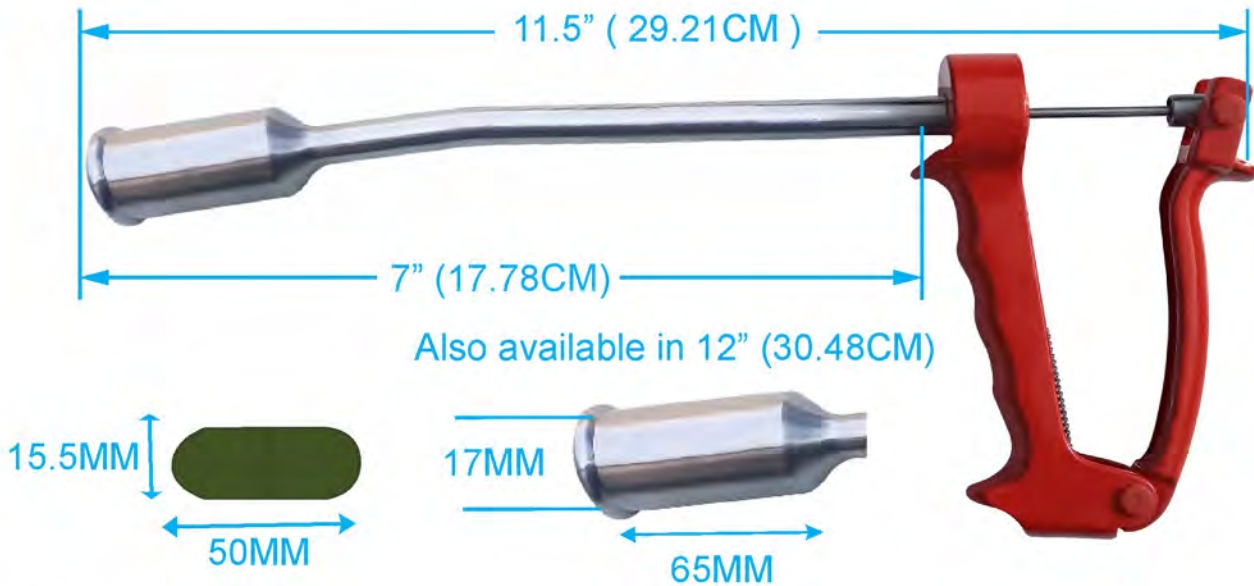




RUFENTUF
INDUSTRIES
Manufacturers & Exporters



BOLUS GUNS



1001

MATERIAL:

Made with a Stainless Steel application tube for ease of use and to improve hygiene and longevity. Designed specifically to allow precise delivery of the All Available Sheep Bolus into the rumen by simply pulling the trigger.

USE:

- 1 : For administering pills and boluses to livestock
 - 2: Oral administration tools for animal use
 - 3: Administer single or multiple boluses
 - 4: For fast and easy administration of pills and boluses
- WEIGHT: 320 GRAMS



1002

Sheep Calfmin Double Bolus Applicator
Alloy Colored Handle and Rubber on Bolus Cup
Available in Curved and straight shaft.



1003

Calfmin Recd Sheep Double Bolus Applicator
Curved with Rubber Cap on Bolus Cup, Spring Pusher

Cow Bolus Applicators

1004



Bovikalc Bolus Applicator

MATERIAL:

Made with a Plastic Handle & Stainless Steel application tube for ease of use and to improve hygiene and longevity. Designed specifically to allow precise delivery of the All Available Sheep Bolus into the rumen by simply pulling the trigger.

USE:

- 1 : For administering pills and boluses to livestock
- 2: Oral administration tools for animal use
- 3: Administer single Bovikalc bolus
- 4: For fast and easy administration of bolus

WEIGHT: 250 GRAMS

1005



Stainless Steel 304I Food Grade, Easy Grip & Comfortable Handle, Injury Free Chamber Surface, Tongue Insid Chamber For Holding Bolus



CLIP IN CHAMBER TO HOLD BOLUS



SCREW PENETRATION AND WELDED



SPIN EDGES OF CHAMBER INJURY FREE



CHAMBER SPINED TO SHAFT AND WELDED ELEGANT LOOK

Bolus Applicators



1006

MATERIAL:

Made with a Stainless Steel 304L Food Grade application tube for ease of use and to improve hygiene and longevity. Designed specifically to allow precise delivery of the All Available Bolus into the rumen by simply pulling the trigger.

USE:

- 1 : For administering boluses to catles
- 2: Oral administration tools for animal use
- 3: Administer single or multiple boluses
- 4: For fast and easy administration of pills and boluses



1007

MATERIAL:

Made with a Stainless Steel 304L Food Grade application tube for ease of use and to improve hygiene and longevity. Designed specifically to allow precise delivery of the All Available Bolus into the rumen by simply pulling the trigger.

USE:

- 1 : For administering boluses to catles
- 2: Oral administration tools for animal use
- 3: Administer single or multiple boluses
- 4: For fast and easy administration of pills and boluses



1008

MATERIAL:

Made with a Stainless Steel 304L Food Grade application tube for ease of use and to improve hygiene and longevity. Designed specifically to allow precise delivery of the All Available Bolus into the rumen by simply pulling the trigger.

A Cordura Cover Pouch Available with Zip Closer and also available in different colors as per customer's requirement.

USE:

- 1 : For administering all types of boluses to catles
- 2: Oral administration tools for animal use
- 3: Administer single or multiple boluses
- 4: For fast and easy administration of pills and boluses

Universal Bolus Applicator



1009

MATERIAL:

Made with a Stainless Steel 304L Food Grade application tube for ease of use and to improve hygiene and longevity. Designed specifically to allow precise delivery of the All Available Bolus into the rumen by simply pulling the trigger.

USE:

- 1 : For administering all types of boluses to catles
- 2: Oral administration tools for animal use
- 3: Administer single or multiple boluses
- 4: For fast and easy administration of pills and boluses

Magnet Bolus Applicators



1010

MATERIAL:

Made with a Stainless Steel 304L Food Grade application tube for ease of use and to improve hygiene and longevity. Designed specifically to allow precise delivery of the All Available Bolus into the rumen by simply pulling the trigger.

USE:

- 1 : For administering boluses to catles
- 2: Oral administration tools for animal use
- 3: Administer single or multiple boluses
- 4: For fast and easy administration of pills and boluses



Magnet Gun Metal

I011

MATERIAL:

Made with a Stainless Steel 304L Food Grade application tube for ease of use and to improve hygiene and longevity. Designed specifically to allow precise delivery of the All Available Bolus into the rumen by simply pulling the trigger.

USE:

- 1 : For administering Magnet to catles
- 2: Oral administration tools for animal use
- 3: Administer single or multiple boluses
- 4: For fast and easy administration of pills and boluses



Magnet Spiral Gun

I012

MATERIAL:

Made with a Stainless Steel 304L Food Grade application tube for ease of use and to improve hygiene and longevity. Designed specifically to allow precise delivery of the All Available Bolus into the rumen by simply pulling the trigger.

USE:

- 1 : For administering Magnet to catles
- 2: Oral administration tools for animal use
- 3: Administer single or multiple boluses
- 4: For fast and easy administration of pills and boluses



I013

MATERIAL:

Made with a Stainless Steel 304L Food Grade application tube for ease of use and to improve hygiene and longevity. Designed specifically to allow precise delivery of the All Available Bolus into the rumen by simply pulling the trigger.

USE:

- 1 : For administering all types of boluses to catles
- 2: Oral administration tools for animal use
- 3: Administer single or multiple boluses
- 4: For fast and easy administration of pills and boluses



1014

MATERIAL:

Made with a Stainless Steel 304L Food Grade application tube for ease of use and to improve hygiene and longevity. Designed specifically to allow precise delivery of the All Available Bolus into the rumen by simply pulling the trigger.

USE:

- 1 : For administering pills and boluses to livestock
- 2: Oral administration tools for animal use
- 3: Administer single or multiple boluses
- 4: For fast and easy administration of pills and boluses



1015

MATERIAL:

Made with a Stainless Steel 304L Food Grade application tube for ease of use and to improve hygiene and longevity. Designed specifically to allow precise delivery of the All Available Bolus into the rumen by simply pulling the trigger.

USE:

- 1: For administering boluses to pets and catles
- 2: Oral administration tools for animal use
- 3: Administer single or multiple boluses
- 4: For fast and easy administration of boluses



Oligovet
Length: 9.5 cm

1016

VETALIS Large Bolus Applicator Curved with Alloy Colored Handle, Rubber Cap on Bolus Cup



Oligovet
Length: 9.5 cm

1017

VETALIS Large Bolus Applicator Curved with Alloy Colored Handle, Rubber Cap on Bolus Cup



1018

MATERIAL:

Made with a Stainless Steel 304L Food Grade application tube for ease of use and to improve hygiene and longevity. Designed specifically to allow precise delivery of the All Available Bolus into the rumen by simply pulling the trigger.

USE:

- 1: For administering boluses to sheeps
- 2: Oral administration tools for animal use
- 3: Administer single or multiple boluses
- 4: For fast and easy administration of boluses



1019

MATERIAL:

Made with a Stainless Steel 304L Food Grade application tube for ease of use and to improve hygiene and longevity. Designed specifically to allow precise delivery of the All Available Bolus into the rumen by simply pulling the trigger.

USE:

- 1: For administering boluses to sheeps
- 2: Oral administration tools for animal use
- 3: Administer single or multiple boluses
- 4: For fast and easy administration of boluses



1020

MATERIAL:

Made with a Stainless Steel 304L Food Grade application tube for ease of use and to improve hygiene and longevity. Designed specifically to allow precise delivery of the All Available Bolus into the rumen by simply pulling the trigger.

A Cordura Cover Pouch Available with Zip Closer and also available in different colors as per customer's requirement.

USE:

- 1 : For administering all types of boluses to catles
- 2: Oral administration tools for animal use
- 3: Administer single or multiple boluses
- 4: For fast and easy administration of pills and boluses



1021

MATERIAL:

Made with a Stainless Steel 304L Food Grade application tube for ease of use and to improve hygiene and longevity. Designed specifically to allow precise delivery of the All Available Bolus into the rumen by simply pulling the trigger.
A Cordura Cover Pouch Available with Zip Closer and also available in different colors as per customer's requirement.

USE:

- 1 : For administering all types of boluses to catles
- 2: Oral administration tools for animal use
- 3: Administer single or multiple boluses
- 4: For fast and easy administration of pills and boluses



1022

MATERIAL:

Made with a Full Plastic Food Grade application tube for ease of use and to improve hygiene and longevity. Designed specifically to allow precise delivery of the All Available Bolus into the rumen by simply pulling the trigger.

USE:

- 1 : For administering all types of boluses to catles
- 2: Oral administration tools for animal use
- 3: Administer single or multiple boluses
- 4: For fast and easy administration of pills and boluses



I023

MATERIAL:

Made with a Full Plastic Food Grade application tube for ease of use and to improve hygiene and longevity. Designed specifically to allow precise delivery of the All Available Bolus into the rumen by simply pulling the trigger.

USE:

- 1: For administering boluses to sheeps
- 2: Oral administration tools for animal use
- 3: Administer single or multiple boluses
- 4: For fast and easy administration of boluses



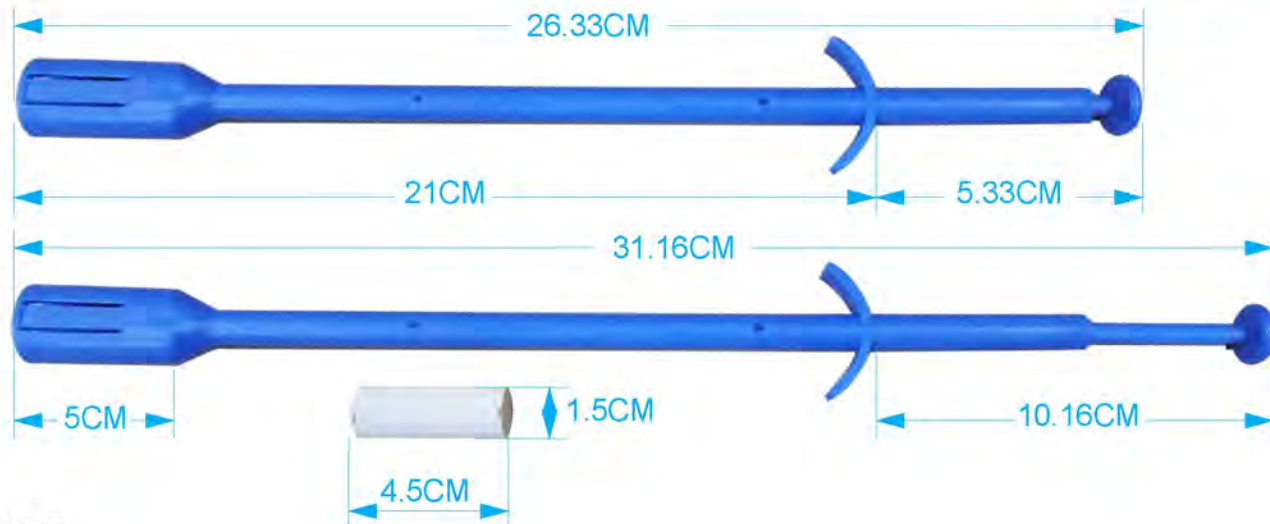
I024

MATERIAL:

High quality Plastic (hdpe) high density polyethylene. Available in a variety of sizes for large and small animals Colors may vary

USE:

- 1: For administering pills and boluses to pets and livestock
- 2: Oral administration tools for animal use
- 3: Administer single or multiple boluses
- 4: For fast and easy administration of pills and boluses



I025

MATERIAL:

High quality Plastic (hdpe) high density polyethylene. Available in a variety of sizes for large and small animals Colors may vary

USE:

- 1: For administering pills and boluses to pets and livestock
- 2: Oral administration tools for animal use
- 3: Administer single or multiple boluses
- 4: For fast and easy administration of pills and boluses